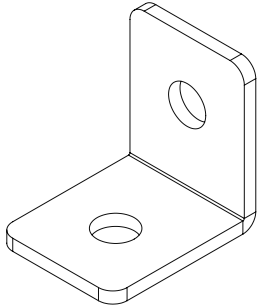




4182C

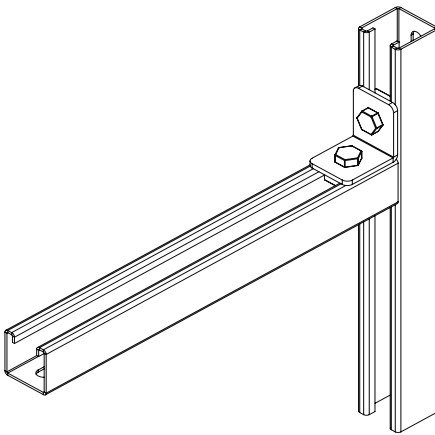


Finishes: PG, HDG.

Characteristics:

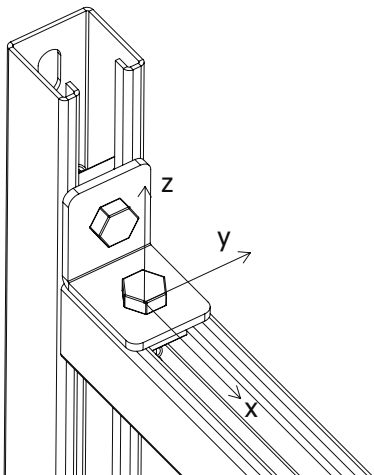
- Metallic
- Non-flame propagating component
- Electrically conductive component
- With metallic coating. Resistance to corrosion:
 - PG: class 3
 - HDG: class 6

INSTRUCTIONS FOR USE



- 4182C fixing accessory allows to connect two strut profiles of BASORPERFIL 41/82 family with an angle of 90 degrees..
- To fix 4182C 2 spring nuts M10 and two M10x30 DIN933 bolts are needed if the assembly is done in the open face of the profile.
- To fix 4182C in the slotted face of the strut profiles 2 B3 M10x20 bolt sets are needed.
- 4182C is usually used with products of BASORPERFIL 41/82 family to make up rack supports, specila tunnel supports, or even solar energy structures.

WORKING LOAD INFORMATION



ADMISSIBLE EFFORTS			
4182C	My	Fx	Fz
	kg.m	kg	kg
	+36	1150	535
-7			

Declared values include 1.7 safety factor as requested in EN IEC 61537 for cable tray supports.

If the assembly is done by means of spring nuts, Fx and Fz load values are limited by the maximum traction/sliding values of the spring nut (500/350 kg).

Related products:

BASORPERFIL 41/82 profiles and accessories.